

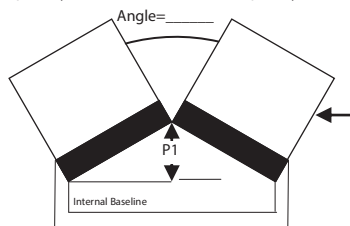
Please Read The Attached Specification Guide SG1312 Before Ordering

Customer _____ Goods £ _____ Page _____ of _____
 Address _____ VAT £ _____ Date of Order _____
 Tel: _____ Fax: _____ Total £ _____ Customer _____
 Mobile (s) _____ Invoice Number _____ Signature _____
 Email: _____ Date Required _____
 Contact: _____ Job Ref: _____ Production Code _____ Del Code _____

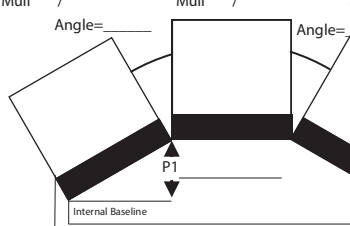
THIS IS ALSO THE INVOICE DATE

KOMMERLING		ALUPLAST		STD Colours Both Sides		Profile Code K=Kommerling (15 Day Lead Time) A=Aluplast S=Swish		CODE Colour Outside	
A57 Cert 3504 STD	<input type="checkbox"/>	A60 Cert 4319 STD	<input type="checkbox"/>	White	<input type="checkbox"/>	White	<input type="checkbox"/>	K/A/S.... Cream on White	<input type="checkbox"/>
67mm	<input type="checkbox"/>	A60 Cert 4504 A+12	<input type="checkbox"/>	Oak	<input type="checkbox"/>	Oak	<input type="checkbox"/>	K/A/S.... Grey on White	<input type="checkbox"/>
Slim Sash	<input type="checkbox"/>	75mm	<input type="checkbox"/>	Rosewood	<input type="checkbox"/>	Rosewood	<input type="checkbox"/>	K/A/S.... Black on White	<input type="checkbox"/>
Trickle Vent to Head only Large Head will be Used		Bead Black STD	<input type="checkbox"/>	Grey	<input type="checkbox"/>	STD Colour on White	<input type="checkbox"/>	K/A/S.... Antq pine on White	<input type="checkbox"/>
Bead Black Gasket Std	<input type="checkbox"/>	SWISH		Oak on White	<input type="checkbox"/>	K/A/S... Antique Pine	<input type="checkbox"/>	A/S..... Polar on White	<input type="checkbox"/>
Bead White Gasket	<input type="checkbox"/>	A60mm Cert 3505 STD	<input type="checkbox"/>	Rosewood On White	<input type="checkbox"/>	K/A..... Polar Foil	<input type="checkbox"/>	A/SFirgreen On White	Dark Green <input type="checkbox"/>
		75mm	<input type="checkbox"/>			K..... Black Foil	<input type="checkbox"/>	A/SChartwell on White	Light Green <input type="checkbox"/>
						K..... Cream Foil	<input type="checkbox"/>		

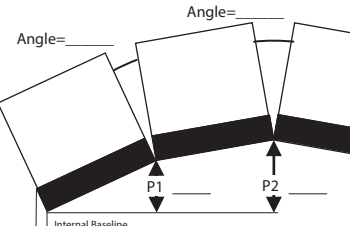
View
 Inside
 Outside
 Glass 28mm STD
 Size Only No Glass
 If **A RATED** is ticked then
 We Need Your **BFRc No**

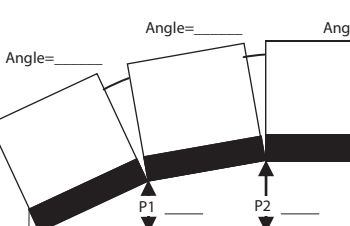
W Mull / _____ W Mull / _____ Frame Height _____ Clear Toughened Add-On S, M, L _____
 Angle= _____ Pattern _____ POS Left Right Top Bottom

 Transom Drop _____ Overlay _____ Decoration _____
 Trickle Vent Head Sash
 Leads Silver Georgian
 Aged 18mm
 Diamond 25mm
 Square White
 6mm WGrain
 9mm Astragal
 Cill None 85mm 150mm 180mm Conceal Face

Warm Edge A Rated
 Black Std
 White
 Spacer Bar NON A RATED
 Silver
 Bronze
 Gold
 Window Handles
 White
 Gold Bright Satin
 Silver Bright Satin

W Mull / _____ W Mull / _____ W Mull / _____ Frame Height _____ Clear Add-On S, M, L _____
 Angle= _____ Angle= _____ Toughened POS Left Right Top Bottom

 Transom Drop _____ Overlay _____ Decoration _____
 Trickle Vent Head Sash
 Leads Silver Georgian
 Aged 18mm
 Diamond 25mm
 Square White
 6mm WGrain
 9mm Astragal
 Cill None 85mm 150mm 180mm Conceal Face

Notes
 Overall Sizes to include Add Ons and Transom Mullion and Midrail Sizaesare Excluding Add Ons and Cills
 Profile *
 Depending on colour if Aluplast is ordered it will be supplied in Swish until stock is used up.
 Aluplast A60 4504 +12 has a 40mm Triple Glazed Unit. The Bead gasket is only Available in Black
 SALES PERSON
 March 2014

W Mull / _____ W Mull / _____ W Mull / _____ W Mull / _____ Frame Height _____ Clear Add-On S, M, L _____
 Angle= _____ Angle= _____ Angle= _____ Toughened POS Left Right Top Bottom

 Transom Drop _____ Overlay _____ Decoration _____
 Trickle Vent Head Sash
 Leads Silver Georgian
 Aged 18mm
 Diamond 25mm
 Square White
 6mm WGrain
 9mm Astragal
 Cill None 85mm 150mm 180mm Conceal Face

W Mull / _____ W Mull / _____ W Mull / _____ W Mull / _____ W Mull / _____ Height _____ Clear Add-On S, M, L _____
 Angle= _____ Angle= _____ Angle= _____ Angle= _____ Toughened POS Left Right Top Bottom

 Trans Drop _____ Overlay _____ Decoration _____
 Trickle Vent Head Sash
 Leads Silver Georgian
 Aged 18mm
 Diamond 25mm
 Square White
 6mm WGrain
 9mm Astragal
 Cill None 85mm 150mm 180mm Conceal Face