

TIMBERLOOK FLUSH SASH DOOR

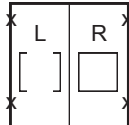
AFFORDABLE - PVC DOOR ORDER FORM

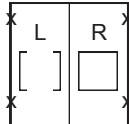
Please Read Attached Specification Guide SG1312 Before Placing Order

Page of

Customer _____ Address _____ Tel No _____ Email/Fax _____ Post Code _____ Job Reference _____ Contact _____ Quote Date _____	Goods £ <input type="text"/> VAT £ <input type="text"/> Total £ <input type="text"/>	Order Date _____ Customer Signature _____ (By Signing this order you agree to Affordable Window Systems Ltd. Terms & Conditions) ----- Date Req. _____ (ALSO INVOICE DATE)
PRODUCTION CODE: _____		DELIVERY CODE: _____

SPECIFICATIONS	COLOUR OUTSIDE	COLOUR INSIDE	INFORMATION
DOC Q COMPLIANT OR PAS 24 <input type="checkbox"/>	White <input type="checkbox"/>	Rosewood <input type="checkbox"/>	White <input type="checkbox"/>
View Outside Only	Polar White <i>(White Foil)</i> <input type="checkbox"/>	Chartwell Green <input type="checkbox"/>	Polar White <i>(White Foil)</i> <input type="checkbox"/>
Glass 24mm STD	Antique Pine <i>(Irish Oak)</i> <input type="checkbox"/>	Black Foil <input type="checkbox"/>	Antique Pine <i>(Irish Oak)</i> <input type="checkbox"/>
Size Only No Glass <input type="checkbox"/>	Smooth Anthracite <input type="checkbox"/>	Painswick <input type="checkbox"/>	Smooth Anthracite <input type="checkbox"/>
Warm Edge A Rated	Anthracite Foil <input type="checkbox"/>	Pebble Grey <input type="checkbox"/>	Anthracite Foil <input type="checkbox"/>
Black Std <input type="checkbox"/>	Cream Foil 9001 <input type="checkbox"/>	Cream Foil 9001 <input type="checkbox"/>	Cream Foil 9001 <input type="checkbox"/>
White <input type="checkbox"/>	<i>NB Base Colour will be white unless a more suitable colour is available* REFER TO INFO SHEET FOR AVAILABILITY AND LEAD-TIME INFORMATION</i>		Cream Foil 9001 <input type="checkbox"/>
			Rosewood <input type="checkbox"/>
			Painswick <input type="checkbox"/>
			Pebble Grey <input type="checkbox"/>

Door Type Single <input type="checkbox"/> French <input type="checkbox"/>	Item Qty. Location _____ _____	Cill None <input type="checkbox"/> 85mm <input type="checkbox"/> 150mm <input type="checkbox"/> 180mm <input type="checkbox"/> Welded <input type="checkbox"/>	Add-on: [S] [M] [L] Left _____ Right _____ Top _____ Bottom _____	Clear <input type="checkbox"/> Toughened <input type="checkbox"/> Pattern _____ Decoration Silver <input type="checkbox"/> Georgian <input type="checkbox"/> Aged <input type="checkbox"/> 18mm <input type="checkbox"/> Diamond <input type="checkbox"/> 25mm <input type="checkbox"/> Square <input type="checkbox"/> White <input type="checkbox"/> 6mm <input type="checkbox"/> WGrain <input type="checkbox"/> 9mm <input type="checkbox"/> Astragal <input type="checkbox"/>
Door Opening Out <input type="checkbox"/> Std. Handle Type Lever / Lever Standard <input type="checkbox"/> Lever / Pad <input type="checkbox"/> Swan Neck Handles <input type="checkbox"/> Colour White <input type="checkbox"/> Gold <input type="checkbox"/> Black <input type="checkbox"/> Chrome <input type="checkbox"/> Silver <input type="checkbox"/> Antique Black <input type="checkbox"/> <i>(Swan Neck Only)</i> Mila Heritage Handle <input type="checkbox"/> Black <input type="checkbox"/> Pewter Patina <input type="checkbox"/> High Security <input type="checkbox"/> Ultion Cylinder	Frame Width Frame Height _____ _____ Door Width _____ Restricted Opening _____ Master 	Drainage Conceal <input type="checkbox"/> Face <input type="checkbox"/>	Letterbox Placement Door <input type="checkbox"/> Panel <input type="checkbox"/> Side P <input type="checkbox"/> Bottom <input type="checkbox"/> Door Restrictor <input type="checkbox"/>	Leads _____ Panel _____
	Mullion Split _____ / _____ / _____	Trickle Vent Head (Only) <input type="checkbox"/>	Threshold Low PVCu 60mm <input type="checkbox"/> 70mm <input type="checkbox"/>	

Door Type Single <input type="checkbox"/> French <input type="checkbox"/>	Item Qty. Location _____ _____	Cill None <input type="checkbox"/> 85mm <input type="checkbox"/> 150mm <input type="checkbox"/> 180mm <input type="checkbox"/> Welded <input type="checkbox"/>	Add-on: [S] [M] [L] Left _____ Right _____ Top _____ Bottom _____	Clear <input type="checkbox"/> Toughened <input type="checkbox"/> Pattern _____ Decoration Silver <input type="checkbox"/> Georgian <input type="checkbox"/> Aged <input type="checkbox"/> 18mm <input type="checkbox"/> Diamond <input type="checkbox"/> 25mm <input type="checkbox"/> Square <input type="checkbox"/> White <input type="checkbox"/> 6mm <input type="checkbox"/> WGrain <input type="checkbox"/> 9mm <input type="checkbox"/> Astragal <input type="checkbox"/>
Door Opening Out <input type="checkbox"/> Std. Handle Type Lever / Lever Standard <input type="checkbox"/> Lever / Pad <input type="checkbox"/> Swan Neck Handles <input type="checkbox"/> Colour White <input type="checkbox"/> Gold <input type="checkbox"/> Black <input type="checkbox"/> Chrome <input type="checkbox"/> Silver <input type="checkbox"/> Antique Black <input type="checkbox"/> <i>(Swan Neck Only)</i> Mila Heritage Handle <input type="checkbox"/> Black <input type="checkbox"/> Pewter Patina <input type="checkbox"/> High Security <input type="checkbox"/> Ultion Cylinder	Frame Width Frame Height _____ _____ Door Width _____ Restricted Opening _____ Master 	Drainage Conceal <input type="checkbox"/> Face <input type="checkbox"/>	Letterbox Placement Door <input type="checkbox"/> Panel <input type="checkbox"/> Side P <input type="checkbox"/> Bottom <input type="checkbox"/> Door Restrictor <input type="checkbox"/>	Leads _____ Panel _____
	Mullion Split _____ / _____ / _____	Trickle Vent Head (Only) <input type="checkbox"/>	Threshold Low PVCu 60mm <input type="checkbox"/> 70mm <input type="checkbox"/>	

Overall Sizes to Include Add-Ons and Cills. Transom, Mullion, and Midrail Sizes EXCLUDE Add-Ons and Cills	NOTES
SALESPERSON _____	
AUG 2023	