

TIMBERLOOK FLUSH SASH DOOR

AFFORDABLE - PVC DOOR ORDER FORM

Please Read Attached Specification Guide SG1312 Before Placing Order

Page of

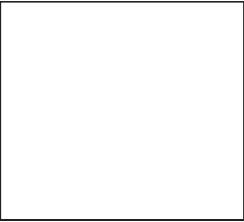
Customer _____
 Address _____
 Tel No _____
 Email/Fax _____
 Post Code _____ Job Reference _____
 Contact _____ Quote Date _____

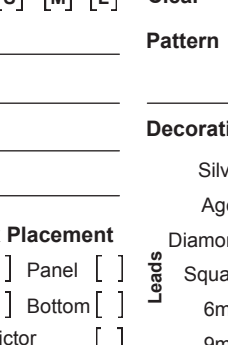
Goods £
 VAT £
 Total £

Order Date _____
 Customer Signature _____
(By Signing this order you agree to Affordable Window Systems Ltd. Terms & Conditions)
 Date Req. _____
(ALSO INVOICE DATE)

PRODUCTION CODE: _____ DELIVERY CODE: _____

SPECIFICATIONS	COLOUR OUTSIDE		COLOUR INSIDE		INFORMATION
DOC Q COMPLIANT OR PAS 24 <input type="checkbox"/>	White <input type="checkbox"/>	Rosewood <input type="checkbox"/>	White <input type="checkbox"/>		Max Width Single Door 900mm
View Outside Only	Polar White <small>(White Foil)</small> <input type="checkbox"/>	Chartwell Green <input type="checkbox"/>	Polar White <small>(White Foil)</small> <input type="checkbox"/>		Max Width French Door 1800mm
Glass 24mm STD	Antique Pine <small>(Irish Oak)</small> <input type="checkbox"/>	Black Foil <input type="checkbox"/>	Antique Pine <small>(Irish Oak)</small> <input type="checkbox"/>		Max Height Any Door 2150mm
Size Only No Glass <input type="checkbox"/>	Smooth Anthracite <input type="checkbox"/>	Painswick <input type="checkbox"/>	Smooth Anthracite <input type="checkbox"/>		Midrail / Transom not available
Warm Edge A Rated	Anthracite Foil <input type="checkbox"/>	Pebble Grey <input type="checkbox"/>	Anthracite Foil <input type="checkbox"/>		Double handle operation on French doors as standard
Black Std <input type="checkbox"/>	Cream Foil 9001 <input type="checkbox"/>		Cream Foil 9001 <input type="checkbox"/>		All outers and sashes are welded and not mechanically joined.
White <input type="checkbox"/>	<i>NB Base Colour will be white unless a more suitable colour is available* REFER TO INFO SHEET FOR AVAILABILITY AND LEAD-TIME INFORMATION</i>		Rosewood <input type="checkbox"/>		Only low pvcu 60mm or 70mm thresher available
			Painswick <input type="checkbox"/>		
			Pebble Grey <input type="checkbox"/>		

Door Type	Item	Qty.	Location	Cill	Add-on: [S] [M] [L]	Clear <input type="checkbox"/> Toughened <input type="checkbox"/>
Single <input type="checkbox"/> French <input type="checkbox"/>				None <input type="checkbox"/>	Left _____	Pattern _____
Door Opening Out <input type="checkbox"/>	Frame Width		Frame Height	85mm <input type="checkbox"/>	Right _____	Decoration
Std. Handle Type	Door Width			150mm <input type="checkbox"/>	Top _____	Silver <input type="checkbox"/> Georgian <input type="checkbox"/>
Lever / Lever <i>Standard</i> <input type="checkbox"/>	Restricted Opening			180mm <input type="checkbox"/>	Bottom _____	Aged <input type="checkbox"/> 18mm <input type="checkbox"/>
Lever / Pad <input type="checkbox"/>	Master			Welded <input type="checkbox"/>	Letterbox Placement	Diamond <input type="checkbox"/> 25mm <input type="checkbox"/>
Swan Neck Handles <input type="checkbox"/>					Door <input type="checkbox"/> Panel <input type="checkbox"/>	Square <input type="checkbox"/> White <input type="checkbox"/>
Colour			Mullion Split	Face <input type="checkbox"/>	Side P <input type="checkbox"/> Bottom <input type="checkbox"/>	6mm <input type="checkbox"/> WGrain <input type="checkbox"/>
White <input type="checkbox"/> Gold <input type="checkbox"/>				Door Restrictor <input type="checkbox"/>		9mm <input type="checkbox"/> Astragal <input type="checkbox"/>
Black <input type="checkbox"/> Chrome <input type="checkbox"/>				Trickle Vent	Threshold	Panel
Silver <input type="checkbox"/> Antique Black <input type="checkbox"/> <small>(Swan Neck Only)</small>				Head (Only) <input type="checkbox"/>	Low PVCu 60mm <input type="checkbox"/>	
Premium Handles					70mm <input type="checkbox"/>	
MILA Peardrop <input type="checkbox"/>						
MILA Monkeytail <input type="checkbox"/>						
Black <input type="checkbox"/> Pewter <i>Patina</i> <input type="checkbox"/>						
High Security						
Ultion Cylinder <input type="checkbox"/>						

Door Type	Item	Qty.	Location	Cill	Add-on: [S] [M] [L]	Clear <input type="checkbox"/> Toughened <input type="checkbox"/>
Single <input type="checkbox"/> French <input type="checkbox"/>				None <input type="checkbox"/>	Left _____	Pattern _____
Door Opening Out <input type="checkbox"/>	Frame Width		Frame Height	85mm <input type="checkbox"/>	Right _____	Decoration
Std. Handle Type	Door Width			150mm <input type="checkbox"/>	Top _____	Silver <input type="checkbox"/> Georgian <input type="checkbox"/>
Lever / Lever <i>Standard</i> <input type="checkbox"/>	Restricted Opening			180mm <input type="checkbox"/>	Bottom _____	Aged <input type="checkbox"/> 18mm <input type="checkbox"/>
Lever / Pad <input type="checkbox"/>	Master			Welded <input type="checkbox"/>	Letterbox Placement	Diamond <input type="checkbox"/> 25mm <input type="checkbox"/>
Swan Neck Handles <input type="checkbox"/>					Door <input type="checkbox"/> Panel <input type="checkbox"/>	Square <input type="checkbox"/> White <input type="checkbox"/>
Colour			Mullion Split	Face <input type="checkbox"/>	Side P <input type="checkbox"/> Bottom <input type="checkbox"/>	6mm <input type="checkbox"/> WGrain <input type="checkbox"/>
White <input type="checkbox"/> Gold <input type="checkbox"/>				Door Restrictor <input type="checkbox"/>		9mm <input type="checkbox"/> Astragal <input type="checkbox"/>
Black <input type="checkbox"/> Chrome <input type="checkbox"/>				Trickle Vent	Threshold	Panel
Silver <input type="checkbox"/> Antique Black <input type="checkbox"/> <small>(Swan Neck Only)</small>				Head (Only) <input type="checkbox"/>	Low PVCu 60mm <input type="checkbox"/>	
Premium Handles					70mm <input type="checkbox"/>	
MILA Peardrop <input type="checkbox"/>						
MILA Monkeytail <input type="checkbox"/>						
Black <input type="checkbox"/> Pewter <i>Patina</i> <input type="checkbox"/>						
High Security						
Ultion Cylinder <input type="checkbox"/>						

Overall Sizes to Include Add-Ons and Cills. Transom, Mullion, and Midrail Sizes EXCLUDE Add-Ons and Cills	NOTES
SALESPERSON _____	
AUG 2023	