



TIMBERLOOK FLUSH SASH DOOR

AFFORDABLE - PVC DOOR ORDER FORM

Please Read Attached Specification Guide SG1312 Before Placing Order

Page of

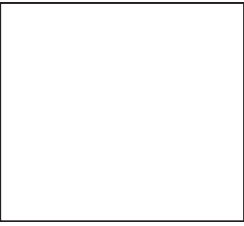
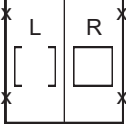
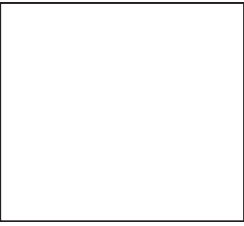
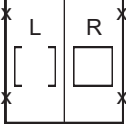
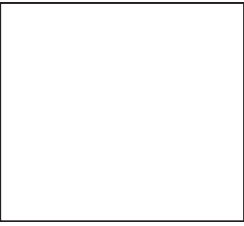
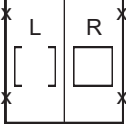
Customer _____
 Address _____
 Tel No _____
 Email/Fax _____
 Post Code _____ Job Reference _____
 Contact _____ Quote Date _____


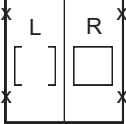

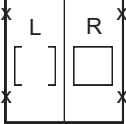

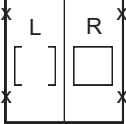
Goods £
 VAT £
 Total £

Order Date _____
 Customer Signature _____
 (By Signing this order you agree to Affordable Window Systems Ltd. Terms & Conditions)
 Date Req. (ALSO INVOICE DATE) _____

PRODUCTION CODE: _____ DELIVERY CODE: _____

SPECIFICATIONS	COLOUR OUTSIDE		COLOUR INSIDE		INFORMATION
DOC Q COMPLIANT OR PAS 24 <input type="checkbox"/>	White <input type="checkbox"/>	Rosewood <input type="checkbox"/>	White <input type="checkbox"/>		Max Width Single Door 900mm Max Width French Door 1800mm Max Height Any Door 2150mm Midrail / Transom not available Double handle operation on French doors as standard All outers and sashes are welded and not mechanically joined. Only low pvcu 60mm or 70mm threshold available
View Outside Only	Polar White <i>(White Foil)</i> <input type="checkbox"/>	Chartwell Green <input type="checkbox"/>	Polar White <i>(White Foil)</i> <input type="checkbox"/>		
Glass 24mm STD	Antique Pine <i>(Irish Oak)</i> <input type="checkbox"/>	Black Foil <input type="checkbox"/>	Antique Pine <i>(Irish Oak)</i> <input type="checkbox"/>		
Size Only No Glass <input type="checkbox"/>	Smooth Anthracite <input type="checkbox"/>	Painswick <input type="checkbox"/>	Smooth Anthracite <input type="checkbox"/>		
Warm Edge A Rated	Anthracite Foil <input type="checkbox"/>	Golden Oak <input type="checkbox"/>	Anthracite Foil <input type="checkbox"/>		
Black Std <input type="checkbox"/> White <input type="checkbox"/>	Cream Foil 9001 <input type="checkbox"/>		Cream Foil 9001 <input type="checkbox"/>		
<i>NB Base Colour will be white unless a more suitable colour is available* REFER TO INFO SHEET FOR AVAILABILITY AND LEAD-TIME INFORMATION</i>					

Door Type Single <input type="checkbox"/> French <input type="checkbox"/> Door Opening Out <input type="checkbox"/> Handle Type Lever / Lever Standard <input type="checkbox"/> Lever / Pad <input type="checkbox"/> Door Handle Colour White <input type="checkbox"/> Silver Satin <input type="checkbox"/> Black <input type="checkbox"/> Gold Polished <input type="checkbox"/> Chrome Bright <input type="checkbox"/> High Security Ultion Cylinder <input type="checkbox"/>	<table border="1"> <thead> <tr> <th>Item</th> <th>Qty.</th> <th>Location</th> </tr> </thead> <tbody> <tr> <td>_____</td> <td>_____</td> <td>_____</td> </tr> <tr> <td>Frame Width</td> <td>_____</td> <td>Frame Height</td> </tr> <tr> <td>_____</td> <td>_____</td> <td>_____</td> </tr> <tr> <td>Door Width</td> <td colspan="2">  </td> </tr> <tr> <td>Restricted Opening</td> <td colspan="2">_____</td> </tr> <tr> <td>Master</td> <td colspan="2">  </td> </tr> <tr> <td></td> <td colspan="2">Mullion Split _____ / _____</td> </tr> </tbody> </table>	Item	Qty.	Location	_____	_____	_____	Frame Width	_____	Frame Height	_____	_____	_____	Door Width			Restricted Opening	_____		Master				Mullion Split _____ / _____		<table border="1"> <thead> <tr> <th>Cill</th> <th>Add-on: [S] [M] [L]</th> <th>Clear <input type="checkbox"/> Toughened <input type="checkbox"/></th> </tr> </thead> <tbody> <tr> <td>None <input type="checkbox"/></td> <td>Left _____</td> <td>Pattern</td> </tr> <tr> <td>85mm <input type="checkbox"/></td> <td>Right _____</td> <td>_____</td> </tr> <tr> <td>150mm <input type="checkbox"/></td> <td>Top _____</td> <td>Decoration</td> </tr> <tr> <td>180mm <input type="checkbox"/></td> <td>Bottom _____</td> <td>Silver <input type="checkbox"/> Georgian <input type="checkbox"/></td> </tr> <tr> <td>Welded <input type="checkbox"/></td> <td></td> <td>Aged <input type="checkbox"/> 18mm <input type="checkbox"/></td> </tr> <tr> <td></td> <td></td> <td>Diamond <input type="checkbox"/> 25mm <input type="checkbox"/></td> </tr> <tr> <td>Drainage</td> <td>Letterbox Placement</td> <td>Square <input type="checkbox"/> White <input type="checkbox"/></td> </tr> <tr> <td>Conceal <input type="checkbox"/></td> <td>Door <input type="checkbox"/> Panel <input type="checkbox"/></td> <td>6mm <input type="checkbox"/> WGrain <input type="checkbox"/></td> </tr> <tr> <td>Face <input type="checkbox"/></td> <td>Side P <input type="checkbox"/> Bottom <input type="checkbox"/></td> <td>9mm <input type="checkbox"/> Astragal <input type="checkbox"/></td> </tr> <tr> <td></td> <td>Door Restrictor <input type="checkbox"/></td> <td></td> </tr> <tr> <td>Trickle Vent</td> <td>Threshold</td> <td>Panel</td> </tr> <tr> <td>Head <input type="checkbox"/></td> <td>Low PVCu 60mm <input type="checkbox"/></td> <td>_____</td> </tr> <tr> <td>Sash <input type="checkbox"/></td> <td>70mm <input type="checkbox"/></td> <td>_____</td> </tr> </tbody> </table>	Cill	Add-on: [S] [M] [L]	Clear <input type="checkbox"/> Toughened <input type="checkbox"/>	None <input type="checkbox"/>	Left _____	Pattern	85mm <input type="checkbox"/>	Right _____	_____	150mm <input type="checkbox"/>	Top _____	Decoration	180mm <input type="checkbox"/>	Bottom _____	Silver <input type="checkbox"/> Georgian <input type="checkbox"/>	Welded <input type="checkbox"/>		Aged <input type="checkbox"/> 18mm <input type="checkbox"/>			Diamond <input type="checkbox"/> 25mm <input type="checkbox"/>	Drainage	Letterbox Placement	Square <input type="checkbox"/> White <input type="checkbox"/>	Conceal <input type="checkbox"/>	Door <input type="checkbox"/> Panel <input type="checkbox"/>	6mm <input type="checkbox"/> WGrain <input type="checkbox"/>	Face <input type="checkbox"/>	Side P <input type="checkbox"/> Bottom <input type="checkbox"/>	9mm <input type="checkbox"/> Astragal <input type="checkbox"/>		Door Restrictor <input type="checkbox"/>		Trickle Vent	Threshold	Panel	Head <input type="checkbox"/>	Low PVCu 60mm <input type="checkbox"/>	_____	Sash <input type="checkbox"/>	70mm <input type="checkbox"/>	_____
Item	Qty.	Location																																																																		
_____	_____	_____																																																																		
Frame Width	_____	Frame Height																																																																		
_____	_____	_____																																																																		
Door Width																																																																				
Restricted Opening	_____																																																																			
Master																																																																				
	Mullion Split _____ / _____																																																																			
Cill	Add-on: [S] [M] [L]	Clear <input type="checkbox"/> Toughened <input type="checkbox"/>																																																																		
None <input type="checkbox"/>	Left _____	Pattern																																																																		
85mm <input type="checkbox"/>	Right _____	_____																																																																		
150mm <input type="checkbox"/>	Top _____	Decoration																																																																		
180mm <input type="checkbox"/>	Bottom _____	Silver <input type="checkbox"/> Georgian <input type="checkbox"/>																																																																		
Welded <input type="checkbox"/>		Aged <input type="checkbox"/> 18mm <input type="checkbox"/>																																																																		
		Diamond <input type="checkbox"/> 25mm <input type="checkbox"/>																																																																		
Drainage	Letterbox Placement	Square <input type="checkbox"/> White <input type="checkbox"/>																																																																		
Conceal <input type="checkbox"/>	Door <input type="checkbox"/> Panel <input type="checkbox"/>	6mm <input type="checkbox"/> WGrain <input type="checkbox"/>																																																																		
Face <input type="checkbox"/>	Side P <input type="checkbox"/> Bottom <input type="checkbox"/>	9mm <input type="checkbox"/> Astragal <input type="checkbox"/>																																																																		
	Door Restrictor <input type="checkbox"/>																																																																			
Trickle Vent	Threshold	Panel																																																																		
Head <input type="checkbox"/>	Low PVCu 60mm <input type="checkbox"/>	_____																																																																		
Sash <input type="checkbox"/>	70mm <input type="checkbox"/>	_____																																																																		

Door Type Single <input type="checkbox"/> French <input type="checkbox"/> Door Opening Out <input type="checkbox"/> Handle Type Lever / Lever Standard <input type="checkbox"/> Lever / Pad <input type="checkbox"/> Door Handle Colour White <input type="checkbox"/> Silver Satin <input type="checkbox"/> Black <input type="checkbox"/> Gold Polished <input type="checkbox"/> Chrome Bright <input type="checkbox"/> High Security Ultion Cylinder <input type="checkbox"/>	<table border="1"> <thead> <tr> <th>Item</th> <th>Qty.</th> <th>Location</th> </tr> </thead> <tbody> <tr> <td>_____</td> <td>_____</td> <td>_____</td> </tr> <tr> <td>Frame Width</td> <td>_____</td> <td>Frame Height</td> </tr> <tr> <td>_____</td> <td>_____</td> <td>_____</td> </tr> <tr> <td>Door Width</td> <td colspan="2">  </td> </tr> <tr> <td>Restricted Opening</td> <td colspan="2">_____</td> </tr> <tr> <td>Master</td> <td colspan="2">  </td> </tr> <tr> <td></td> <td colspan="2">Mullion Split _____ / _____</td> </tr> </tbody> </table>	Item	Qty.	Location	_____	_____	_____	Frame Width	_____	Frame Height	_____	_____	_____	Door Width			Restricted Opening	_____		Master				Mullion Split _____ / _____		<table border="1"> <thead> <tr> <th>Cill</th> <th>Add-on: [S] [M] [L]</th> <th>Clear <input type="checkbox"/> Toughened <input type="checkbox"/></th> </tr> </thead> <tbody> <tr> <td>None <input type="checkbox"/></td> <td>Left _____</td> <td>Pattern</td> </tr> <tr> <td>85mm <input type="checkbox"/></td> <td>Right _____</td> <td>_____</td> </tr> <tr> <td>150mm <input type="checkbox"/></td> <td>Top _____</td> <td>Decoration</td> </tr> <tr> <td>180mm <input type="checkbox"/></td> <td>Bottom _____</td> <td>Silver <input type="checkbox"/> Georgian <input type="checkbox"/></td> </tr> <tr> <td>Welded <input type="checkbox"/></td> <td></td> <td>Aged <input type="checkbox"/> 18mm <input type="checkbox"/></td> </tr> <tr> <td></td> <td></td> <td>Diamond <input type="checkbox"/> 25mm <input type="checkbox"/></td> </tr> <tr> <td>Drainage</td> <td>Letterbox Placement</td> <td>Square <input type="checkbox"/> White <input type="checkbox"/></td> </tr> <tr> <td>Conceal <input type="checkbox"/></td> <td>Door <input type="checkbox"/> Panel <input type="checkbox"/></td> <td>6mm <input type="checkbox"/> WGrain <input type="checkbox"/></td> </tr> <tr> <td>Face <input type="checkbox"/></td> <td>Side P <input type="checkbox"/> Bottom <input type="checkbox"/></td> <td>9mm <input type="checkbox"/> Astragal <input type="checkbox"/></td> </tr> <tr> <td></td> <td>Door Restrictor <input type="checkbox"/></td> <td></td> </tr> <tr> <td>Trickle Vent</td> <td>Threshold</td> <td>Panel</td> </tr> <tr> <td>Head <input type="checkbox"/></td> <td>Low PVCu 60mm <input type="checkbox"/></td> <td>_____</td> </tr> <tr> <td>Sash <input type="checkbox"/></td> <td>70mm <input type="checkbox"/></td> <td>_____</td> </tr> </tbody> </table>	Cill	Add-on: [S] [M] [L]	Clear <input type="checkbox"/> Toughened <input type="checkbox"/>	None <input type="checkbox"/>	Left _____	Pattern	85mm <input type="checkbox"/>	Right _____	_____	150mm <input type="checkbox"/>	Top _____	Decoration	180mm <input type="checkbox"/>	Bottom _____	Silver <input type="checkbox"/> Georgian <input type="checkbox"/>	Welded <input type="checkbox"/>		Aged <input type="checkbox"/> 18mm <input type="checkbox"/>			Diamond <input type="checkbox"/> 25mm <input type="checkbox"/>	Drainage	Letterbox Placement	Square <input type="checkbox"/> White <input type="checkbox"/>	Conceal <input type="checkbox"/>	Door <input type="checkbox"/> Panel <input type="checkbox"/>	6mm <input type="checkbox"/> WGrain <input type="checkbox"/>	Face <input type="checkbox"/>	Side P <input type="checkbox"/> Bottom <input type="checkbox"/>	9mm <input type="checkbox"/> Astragal <input type="checkbox"/>		Door Restrictor <input type="checkbox"/>		Trickle Vent	Threshold	Panel	Head <input type="checkbox"/>	Low PVCu 60mm <input type="checkbox"/>	_____	Sash <input type="checkbox"/>	70mm <input type="checkbox"/>	_____
Item	Qty.	Location																																																																		
_____	_____	_____																																																																		
Frame Width	_____	Frame Height																																																																		
_____	_____	_____																																																																		
Door Width																																																																				
Restricted Opening	_____																																																																			
Master																																																																				
	Mullion Split _____ / _____																																																																			
Cill	Add-on: [S] [M] [L]	Clear <input type="checkbox"/> Toughened <input type="checkbox"/>																																																																		
None <input type="checkbox"/>	Left _____	Pattern																																																																		
85mm <input type="checkbox"/>	Right _____	_____																																																																		
150mm <input type="checkbox"/>	Top _____	Decoration																																																																		
180mm <input type="checkbox"/>	Bottom _____	Silver <input type="checkbox"/> Georgian <input type="checkbox"/>																																																																		
Welded <input type="checkbox"/>		Aged <input type="checkbox"/> 18mm <input type="checkbox"/>																																																																		
		Diamond <input type="checkbox"/> 25mm <input type="checkbox"/>																																																																		
Drainage	Letterbox Placement	Square <input type="checkbox"/> White <input type="checkbox"/>																																																																		
Conceal <input type="checkbox"/>	Door <input type="checkbox"/> Panel <input type="checkbox"/>	6mm <input type="checkbox"/> WGrain <input type="checkbox"/>																																																																		
Face <input type="checkbox"/>	Side P <input type="checkbox"/> Bottom <input type="checkbox"/>	9mm <input type="checkbox"/> Astragal <input type="checkbox"/>																																																																		
	Door Restrictor <input type="checkbox"/>																																																																			
Trickle Vent	Threshold	Panel																																																																		
Head <input type="checkbox"/>	Low PVCu 60mm <input type="checkbox"/>	_____																																																																		
Sash <input type="checkbox"/>	70mm <input type="checkbox"/>	_____																																																																		

NOTES	
<p>Overall Sizes to Include Add-Ons and Cills (Transom, Mullion and Midrail Sizes are <u>Excluding</u> Add-Ons and Cills)</p>	